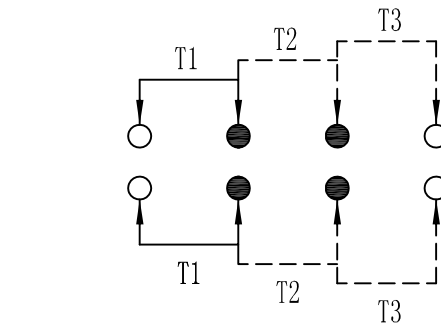
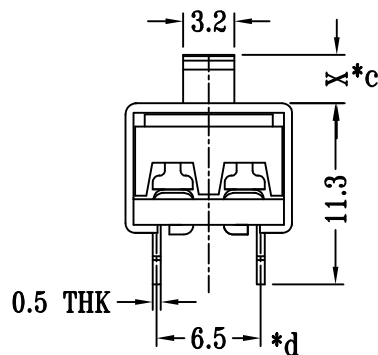
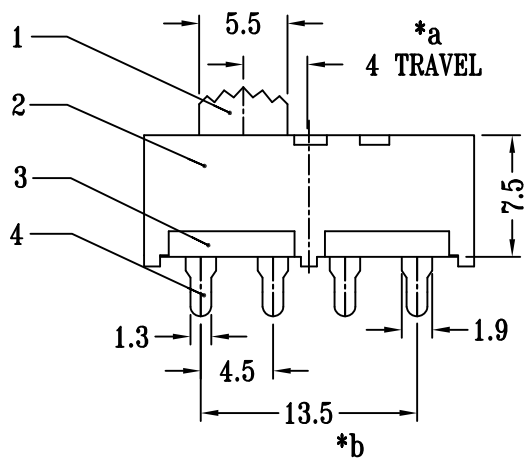
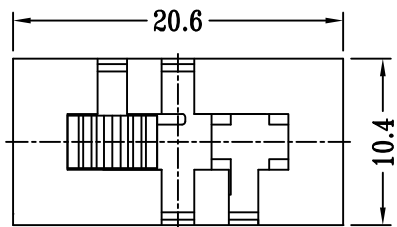
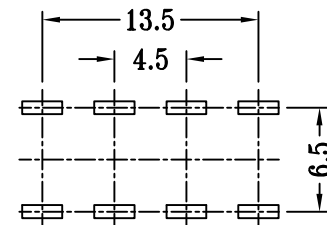


CAD FILE:



SCHEMATIC (NON-SHORTING)



**P.C.B LAYOUT
BOTTOM VIEW**

注：“*”号表示关键尺寸(4个).

NO.	PARTS	MATERIALS	Q'TY	FINISH	TOLERANCE UNLESS SPECIFIED	ISSUE	DATE	DESCRIPTIONS OF REVISION	APPD.
8									
7	SPRING PLATE	PBS STRIP	1	NATURAL					
6	SPRING PLATE	PBS STRIP	2	NATURAL	WITHIN 1.5mm : ±0.1mm	A	2012-8-21	初版	曾鹏
5	CONTACT	BRASS STRIP	2	Ag PLATED	OVER 1.5mm : ±0.2mm	ISSUE	DATE		
4	TERMINAL	BRASS STRIP	8	Ag PLATED	TITLE : VERTICAL SLIDE SWITCH			UNIT : mm	DRWG NO.: XB-SS-23H21
3	BASE	PHENOLIC RESIN	1	BLACK	MODEL: XB-SS-23H21 (2P3T)			SCALE: 2:1	DWN. 张俊 2012-8-21
2	FRAME	STEEL STRIP	1	Ni PLATED	东莞市溪榜电子有限公司 DONG GUAN XI BANG ELECTRONI CS CO., LTD.			CHK'D	黄锦效 2012-8-21
1	KNOB	POM	1	BLACK				APPD.	曾鹏 2012-8-21